

ideal  
HEATING

# VOGUE COMBI

26 32 40kW



NOx class 6



Simple to install & service



Premium components



Easy to use full colour display



Add an Ideal System Filter to increase the Vogue boiler warranty by an additional 2 years



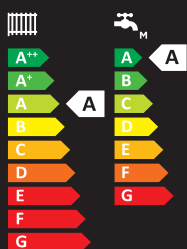
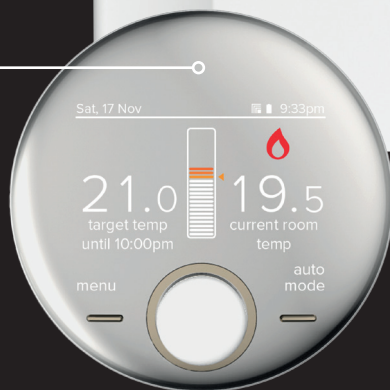
Frost protection



Halo Combi compatible



Stainless steel heat exchanger



idealheating.com |     

experts in heating

\*2 year parts and labour warranty available when registered within 30 days of installation.

# Features & specification

## PREMIUM QUALITY COMPONENTS

- Hydrobloc incorporating a 24V stepper for enhanced reliability
- Large 10 litre expansion vessel
- Stainless steel heat exchanger
- Low energy modulating Grundfos pump
- 24V gas valve

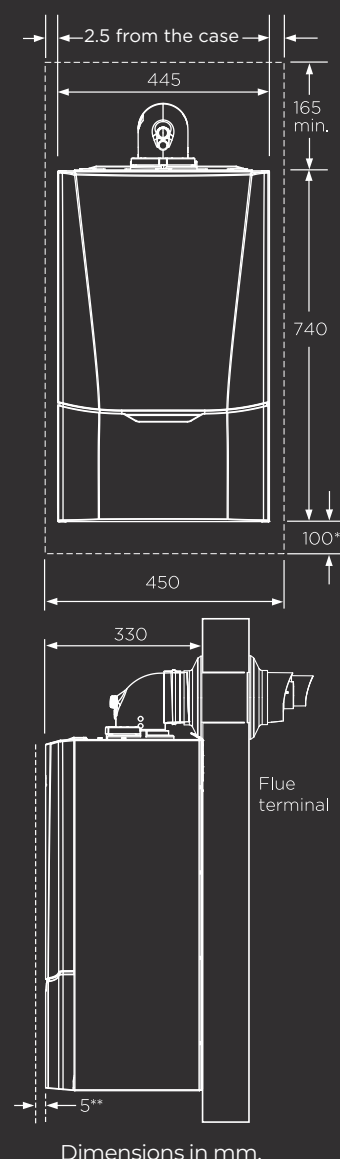
## END USER BENEFITS

- LPG conversions available on all outputs
- Backlit 3.5" LCD full colour display
- Multi-function buttons for simplified end user operation
- Up to 7:1 modulation
- Service display and installer phone number input
- Rotary control for easier user operation
- Stylish aesthetics with full width door complete with damped opening

## EASY TO INSTALL AND SERVICE

- Low boiler lift weight from 32.4kg
- Pre-wired mains lead (2m)
- Cool burner door technology
- Long maximum flue lengths with easy access sampling points
- Easy to read pressure gauge
- Uniform control opening across all Ideal Vogue and Logic boilers
- Control box with push-in cable clamps

## Clearances & dimensions



Dimensions in mm.

VOGUE COMBI

## Technical specification

VOGUE COMBI MODELS	C26	C32	C40
Weight (packaged) kg	37.6	38.9	40.9
Max installation weight kg	32.4	33.8	35.4
CH output (kW) min/max @ 70°C	3.7 - 18.0	4.6 - 26.0	5.7 - 32.0
CH output (kW) min/max @ 40°C	4.0 - 19.3	4.9 - 27.9	6.1 - 34.3
DHW output (kW) max	26	32	40
DHW flow rate l/min. 35°C rise	10.6	13.1	16.4
SEDBUK rating (2005) %	91	91.1	91
SEDBUK rating (2009/2012) %	89.1	89.2	89.1
NOx classification	CLASS 6	CLASS 6	CLASS 6
LPG conversion	Yes	Yes	Yes
Max horizontal flue	10m	8m	8m
Max vertical flue	10m	10m	10m
Seasonal space heating efficiency class	A	A	A
Seasonal space heating energy efficiency $\eta_s$ %	93	93	93
Sound power level, indoors L <sub>WA</sub> dB	47	50	49
Water heating energy efficiency class	A	A	A

T: 01482 492251 E: [ideal@idealheating.com](mailto:ideal@idealheating.com)

Ideal Heating, PO Box 103, National Avenue, Kingston upon Hull, East Yorkshire, HU5 4JN.

Clearances & dimensions notes: \*\*The minimum front clearance when built into a cupboard is 5mm from the cupboard door but 450mm overall clearance with the cupboard door open is required for servicing. \*Bottom clearance after installation can be reduced to 5mm. However, 100mm is required for servicing.