

VOGUE MAX SYSTEM

15 18 26 32kW



NOx class 6



Premium components



Frost protection



Stainless steel heat exchanger



Halo Heat & System compatible



Simple to install & service



Easy to use full colour display



Ideal System Filter included to maintain and protect your heating system



Features & specification

PREMIUM QUALITY COMPONENTS

- Large 10 litre expansion vessel
- Stainless steel heat exchanger
- Low energy modulating Grundfos pump
- 24V gas valve

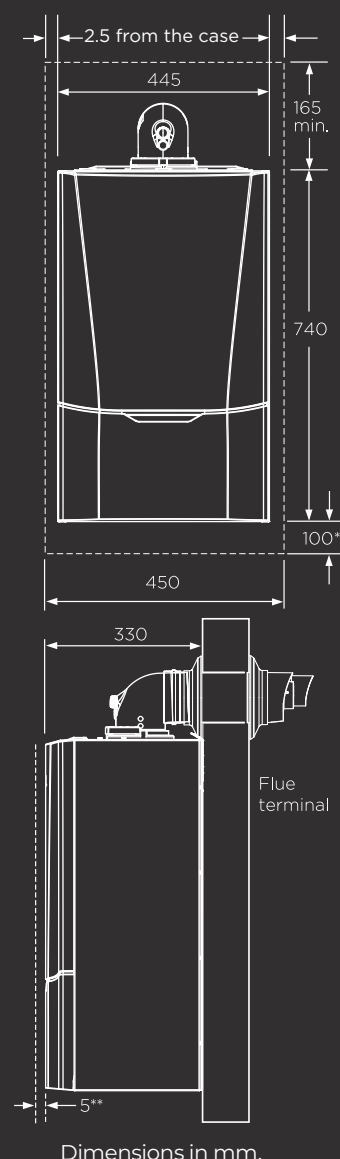
END USER BENEFITS

- LPG conversions available on all outputs
- Backlit 3.5" LCD full colour display
- Multi-function buttons for simplified end user operation
- Up to 5:1 modulation
- Service display and installer phone number input
- Rotary control for easier user operation
- Stylish aesthetics with full width door complete with damped opening

EASY TO INSTALL AND SERVICE

- Low boiler lift weight from 30.7kg
- Pre-wired mains lead (2m)
- Cool burner door technology
- Long maximum flue lengths with easy access sampling points
- Easy to read pressure gauge
- Control box with push-in cable clamps

Clearances & dimensions



Dimensions in mm.

Technical specification

| VOGUE MAX SYSTEM MODELS | 15 | 18 | 26 | 32 |
|---|------------|------------|------------|------------|
| Weight (packaged) kg | 38 | 38.8 | 40.2 | 42.2 |
| Max installation weight kg | 30.7 | 31.5 | 32.9 | 34.3 |
| CH output (kW) min/max @ 70°C | 3.0 - 15.0 | 3.6 - 18.0 | 5.2 - 26.0 | 6.4 - 32.0 |
| CH output (kW) min/max @ 40°C | 3.2 - 16.2 | 3.9 - 19.3 | 5.6 - 27.9 | 6.8 - 34.3 |
| DHW output (kW) max | n/a | n/a | n/a | n/a |
| DHW flow rate l/min. 35°C rise | n/a | n/a | n/a | n/a |
| SEDBUK rating (2005) % | 91 | 91.1 | 91.1 | 91.1 |
| SEDBUK rating (2009/2012) % | 88.9 | 89.3 | 89.3 | 89.3 |
| NOx classification | CLASS 6 | CLASS 6 | CLASS 6 | CLASS 6 |
| LPG conversion | Yes | Yes | Yes | Yes |
| Max horizontal flue | 10m | 10m | 10m | 8m |
| Max vertical flue | 10m | 10m | 10m | 10m |
| Seasonal space heating efficiency class | A | A | A | A |
| Seasonal space heating energy efficiency η_s % | 92 | 93 | 93 | 93 |
| Sound power level, indoors L_{WA} dB | 50 | 52 | 52 | 50 |
| Water heating energy efficiency class | n/a | n/a | n/a | n/a |

T: 01482 492251 E: ideal@idealheating.com

Ideal Heating, PO Box 103, National Avenue, Kingston upon Hull, East Yorkshire, HU5 4JN.

Clearances & dimensions notes: **The minimum front clearance when built into a cupboard is 5mm from the cupboard door but 450mm overall clearance with the cupboard door open is required for servicing.
*Bottom clearance after installation can be reduced to 5mm. However, 100mm is required for servicing.