

# VOGUE SYSTEM

15 18 26 32kW



NOx class 6



Premium components



Add an Ideal System Filter to increase the Vogue boiler warranty by an additional 2 years



Halo Heat & System compatible



Simple to install & service



Easy to use full colour display



Frost protection



Stainless steel heat exchanger



# Features & specification

## PREMIUM QUALITY COMPONENTS

- Large 10 litre expansion vessel
- Stainless steel heat exchanger
- Low energy modulating Grundfos pump
- 24V gas valve

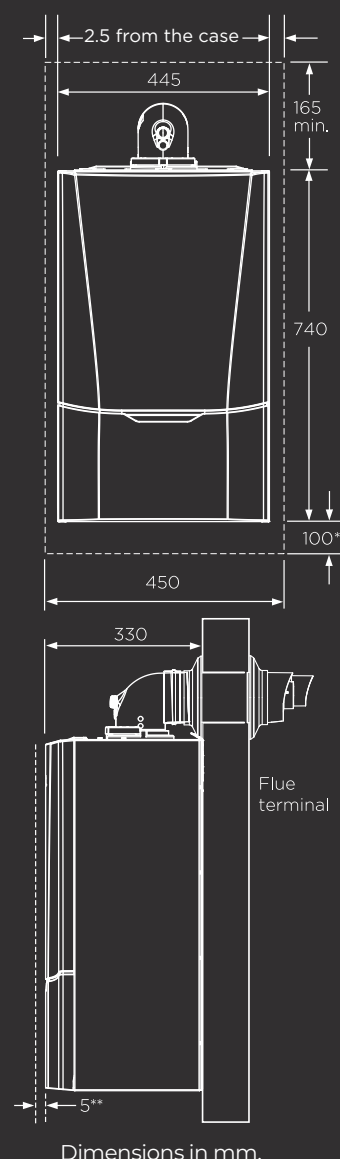
## END USER BENEFITS

- LPG conversions available on all outputs
- Backlit 3.5" LCD full colour display
- Multi-function buttons for simplified end user operation
- Up to 5:1 modulation
- Service display and installer phone number input
- Rotary control for easier user operation
- Stylish aesthetics with full width door complete with damped opening

## EASY TO INSTALL AND SERVICE

- Low boiler lift weight from 30.7kg
- Pre-wired mains lead (2m)
- Cool burner door technology
- Long maximum flue lengths with easy access sampling points
- Easy to read pressure gauge
- Control box with push-in cable clamps

## Clearances & dimensions



Dimensions in mm.

## Technical specification

VOGUE SYSTEM MODELS	S15	S18	S26	S32
Weight (packaged) kg	35.5	36.3	37.7	39.7
Max installation weight kg	30.7	31.5	32.9	34.3
CH output (kW) min/max @ 70°C	3.0 - 15.0	3.6 - 18.0	5.2 - 26.0	6.4 - 32.0
CH output (kW) min/max @ 40°C	3.2 - 16.2	3.9 - 19.3	5.6 - 27.9	6.8 - 34.3
DHW output (kW) max	n/a	n/a	n/a	n/a
DHW flow rate l/min. 35°C rise	n/a	n/a	n/a	n/a
SEDBUK rating (2005) %	91	91.1	91.1	91.1
SEDBUK rating (2009/2012) %	88.9	89.3	89.3	89.3
NOx classification	CLASS 6	CLASS 6	CLASS 6	CLASS 6
LPG conversion	Yes	Yes	Yes	Yes
Max horizontal flue	10m	10m	10m	8m
Max vertical flue	10m	10m	10m	10m
Seasonal space heating efficiency class	A	A	A	A
Seasonal space heating energy efficiency $\eta_s$ %	92	93	93	93
Sound power level, indoors L <sub>WA</sub> dB	50	52	52	50
Water heating energy efficiency class	n/a	n/a	n/a	n/a

T: 01482 492251 E: [ideal@idealheating.com](mailto:ideal@idealheating.com)

Ideal Heating, PO Box 103, National Avenue, Kingston upon Hull, East Yorkshire, HU5 4JN.

Clearances & dimensions notes: \*\*The minimum front clearance when built into a cupboard is 5mm from the cupboard door but 450mm overall clearance with the cupboard door open is required for servicing. \*Bottom clearance after installation can be reduced to 5mm. However, 100mm is required for servicing.